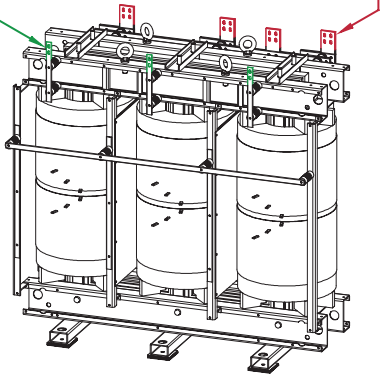


Typical Termination Layouts

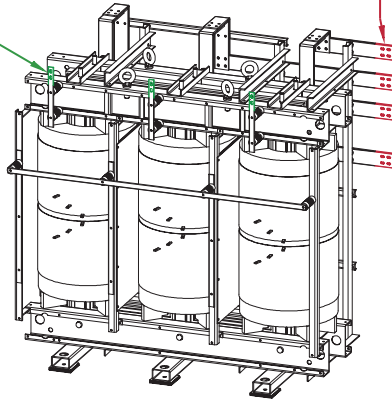
TYPE 1

HV CONNECTION:
 STUBS UP, CABLE CONNECTED
LV CONNECTION:
 STUBS UP, CABLE CONNECTED



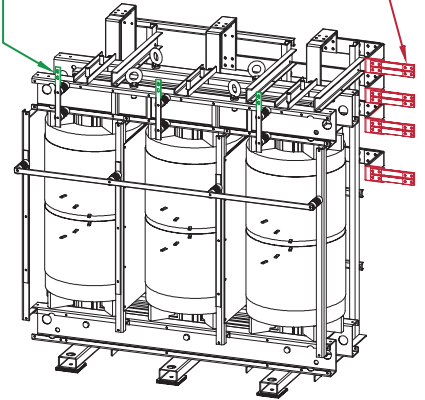
TYPE 2

HV CONNECTION:
 STUBS UP, CABLE CONNECTED
LV CONNECTION:
 BUS TO END, CABLE CONNECTED



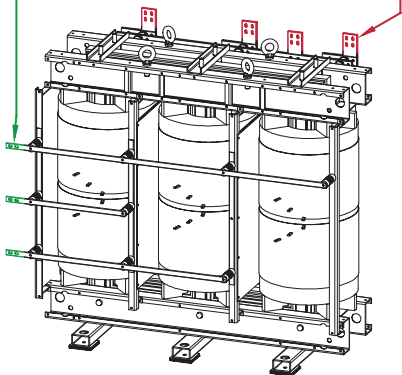
TYPE 3

HV CONNECTION:
 STUBS UP, CABLE CONNECTED
LV CONNECTION:
 CLOSE-COUPLED W/FLEXIBLE BRAIDS



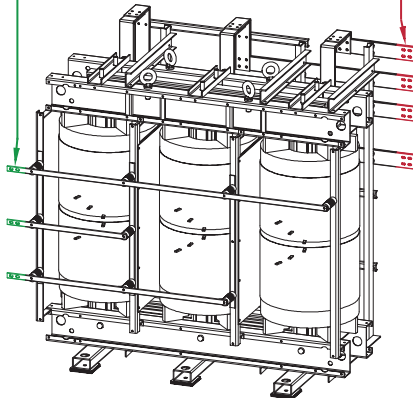
TYPE 4

HV CONNECTION:
 BUS TO END, CABLE CONNECTED
LV CONNECTION:
 STUBS UP, CABLE CONNECTED



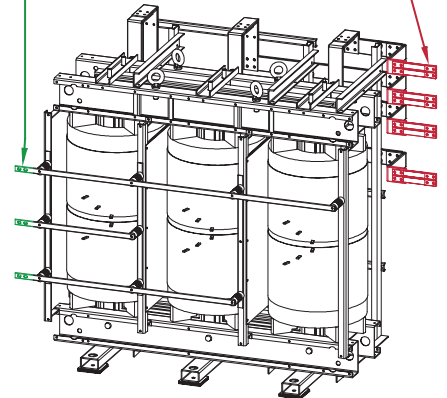
TYPE 5

HV CONNECTION:
 BUS TO END, CABLE CONNECTED
LV CONNECTION:
 BUS TO END, CABLE CONNECTED



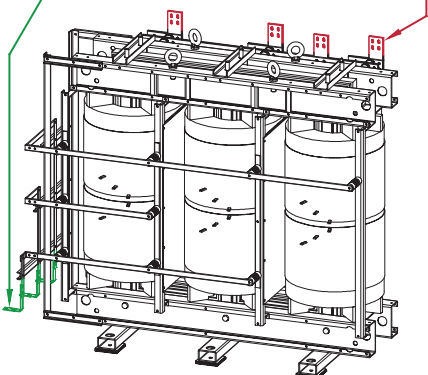
TYPE 6

HV CONNECTION:
 BUS TO END, CABLE CONNECTED
LV CONNECTION:
 CLOSE-COUPLED W/FLEXIBLE BRAIDS



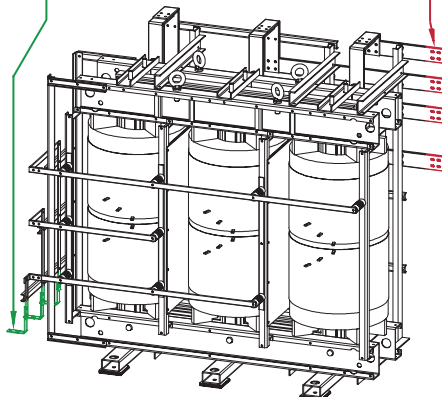
TYPE 7

HV CONNECTION:
 CLOSE-COUPLED W/FLEXIBLE BRAIDS
LV CONNECTION:
 STUBS UP, CABLE CONNECTED



TYPE 8

HV CONNECTION:
 CLOSE-COUPLED W/FLEXIBLE BRAIDS
LV CONNECTION:
 BUS TO END, CABLE CONNECTED



TYPE 9

HV CONNECTION:
 CLOSE-COUPLED W/FLEXIBLE BRAIDS
LV CONNECTION:
 CLOSE-COUPLED W/FLEXIBLE BRAIDS

