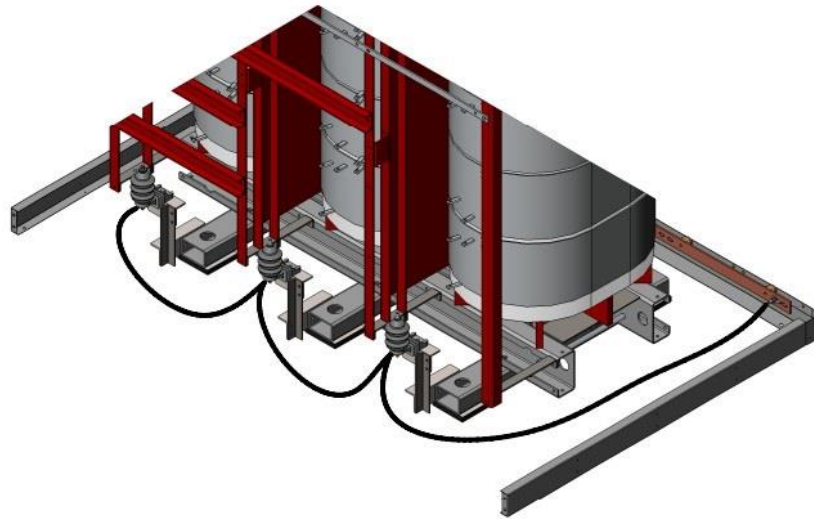


Lightning arresters installation procedure

- Verify the arresters for any damage. Must be clean, without any debris or cracks.
- Look at the box (little plastic bag) inside the transformer enclosure; must contain washers, lock washers and mechanical installation kit (screw, washer, lock washer and nut).
- The pre-wiring installation is already done by the factory as indicated:

General view (back GND bus bar):



GND wiring (side view):



Wiring from High voltage to the lightning arrester (cut the terminals tie wraps before installation):



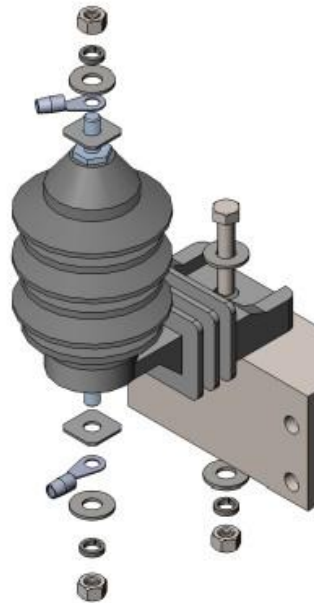
Lightning arrester to GND (cut the terminals tie wraps before installation):



- Using the mechanical installation kit, place the lightning arresters in position and fix them.



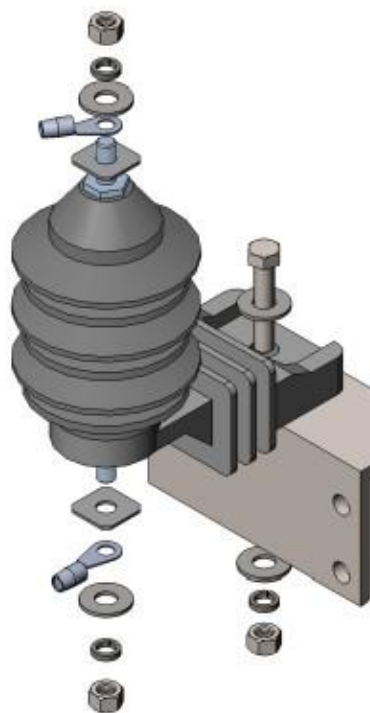
- Remove the grey cap and the upper nut, install the wires and reinstall the washer, lock washer and nut as indicated



- Cut with a sharp knife the slots indicated on the cap, then install it



- Remove the bottom nut



- Install the wire(s), the washer, lock washer and nut as indicated



- Verify the final wires position according to the drawings.

